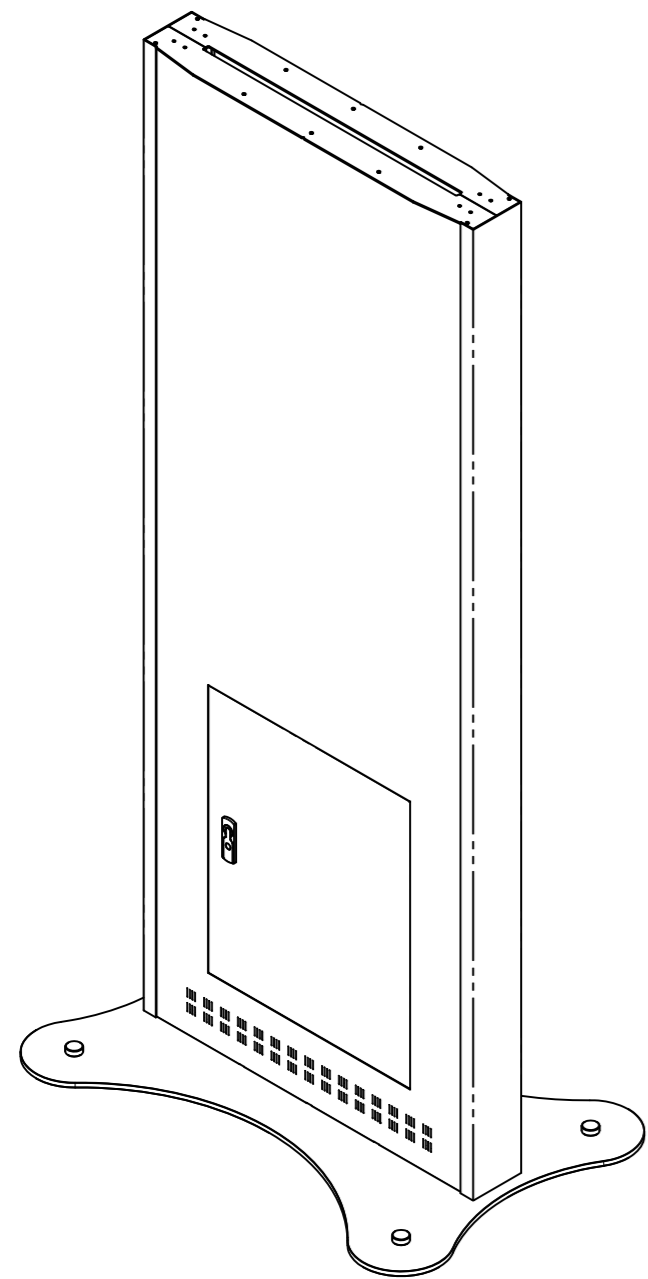
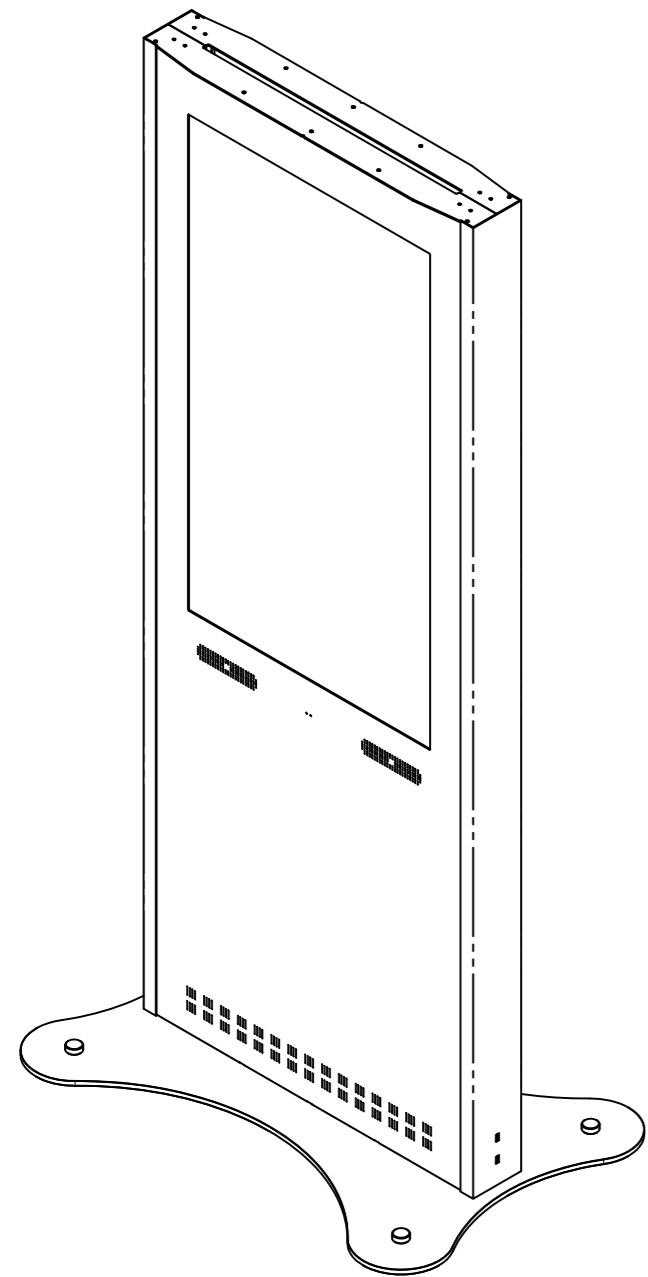
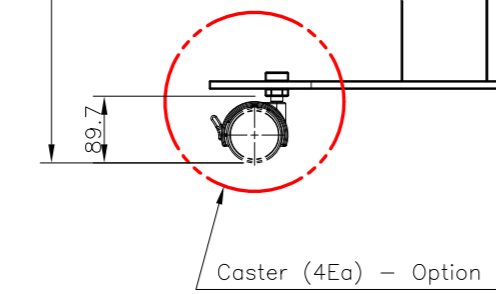


REV. NO		REV. HISTORY	LTR	ECO NO	DATE	APPR'L
DWG	PART					
00	00	INITIAL RELEASE	-	-	-	-

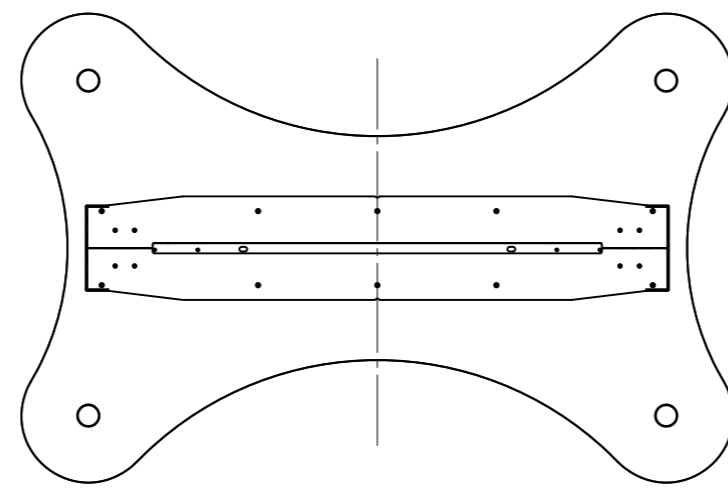


2105.8 (with Caster)



NOTES,

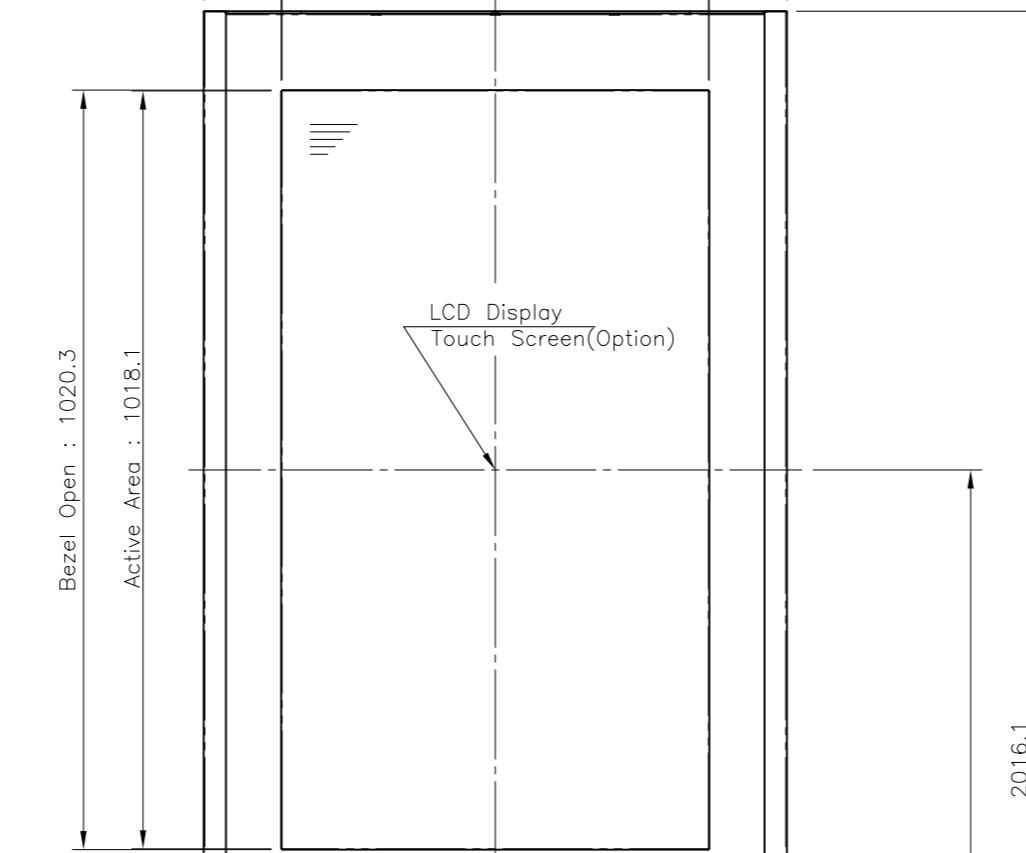
1. Panel : 46" (Portrait)
2. Cabinet Color : Black & White
3. Weight : T.B.D



783.2

Bezel Open : 574.85

Active Area : 572.65



Bezel Open : 1020.3
Active Area : 1018.1

LCD Display
Touch Screen(Optional)

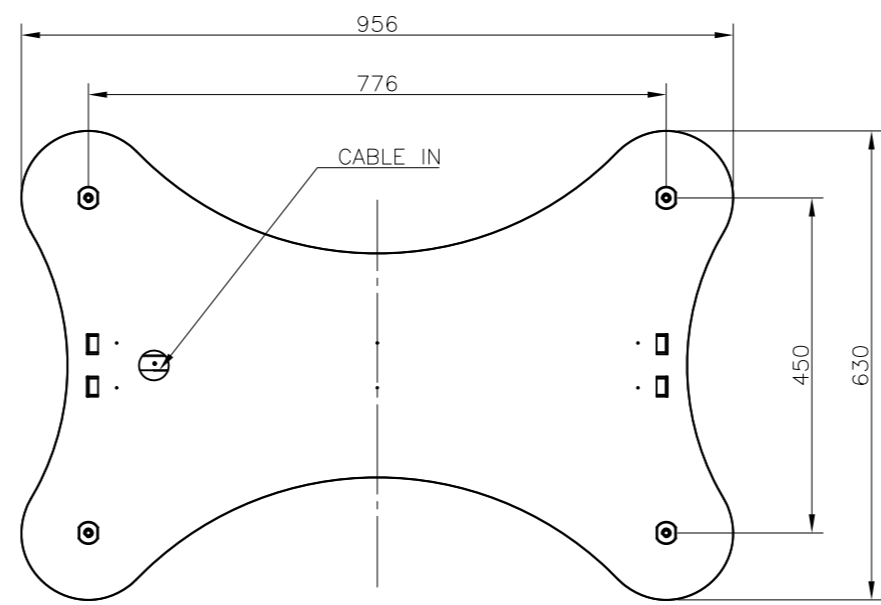
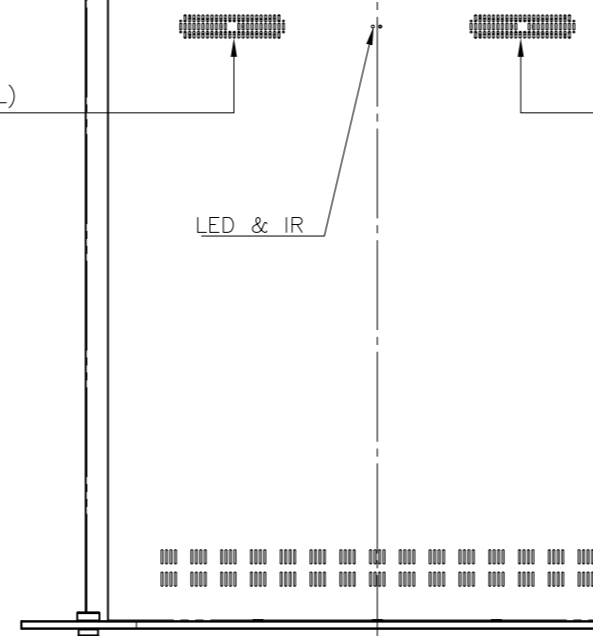
Speaker(L)

Speaker(R)

LED & IR

2016.1

1380



956

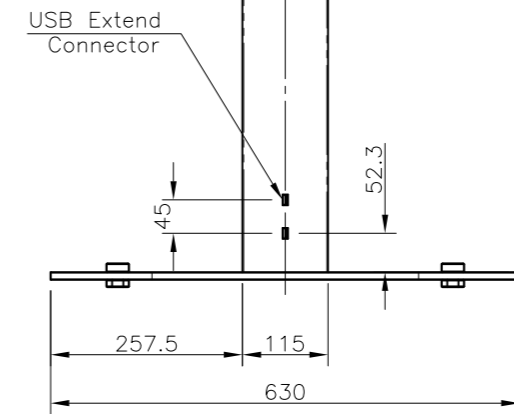
776

CABLE IN

450

630

131
Depth:115



USB Extend
Connector

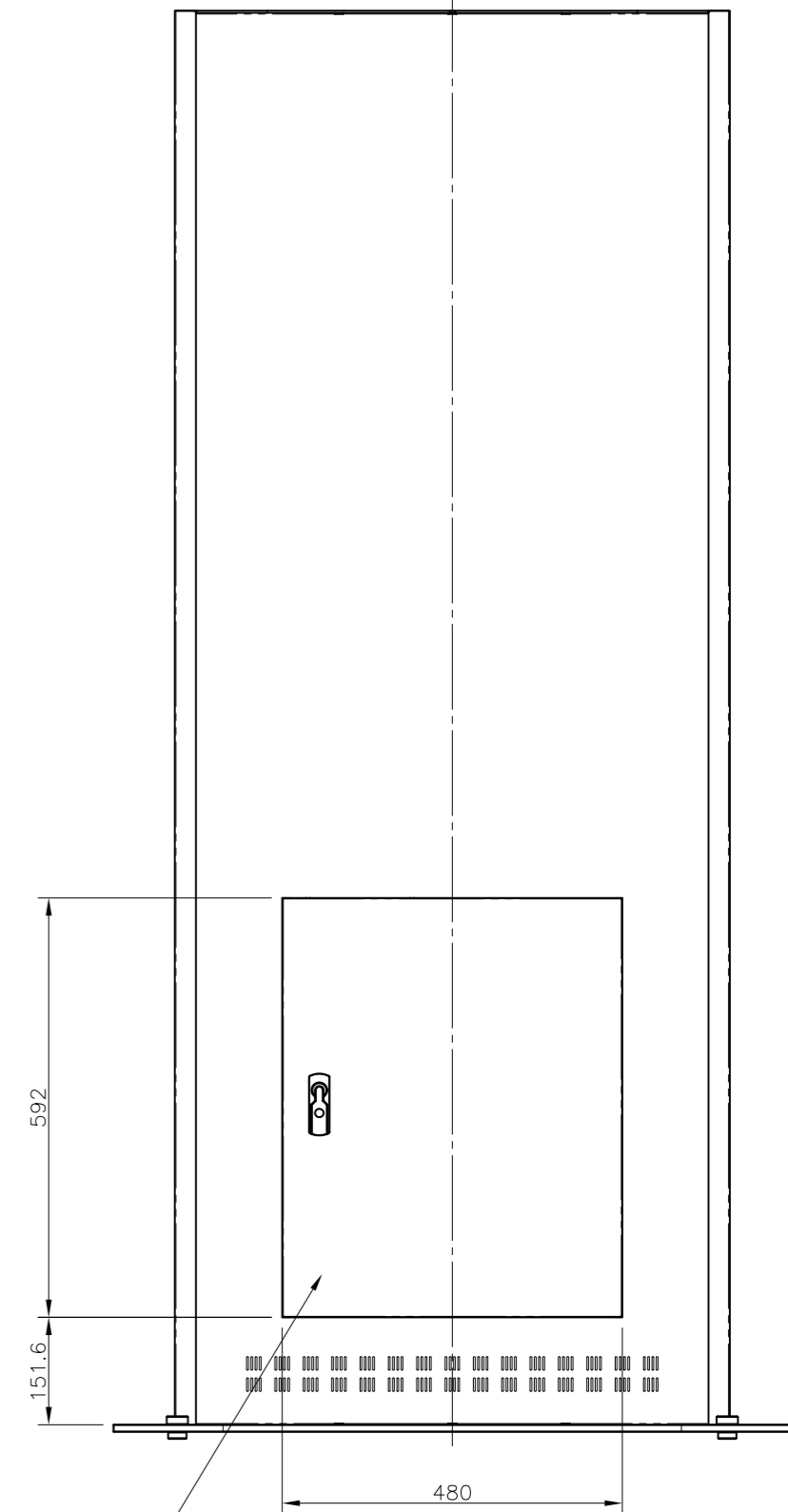
45

257.5

115

52.3

630



592

151.6

480

S.T.B Depth(Max : 90mm)

DRAWN	PLANNED	CHECKED	APPROVED	UNLESS OTHERWISE SPECIFIED ALL DIMENSION ARE IN MILLIMETERS		ANGLE	TITLE :		UNIT :
S.H.JANG	S.H.JANG	-	Y.T.KIM	TOLERANCES ARE: LINEAR : X ± 0.20 X ± 0.1 XX ± 0.01		3rd.	D46ESL EXTERIOR VIEW		mm
13.07.11	13.07.11	-	13.07.11	ANGLES : ± 0.1° RADI UNLESS NOTED : R 0.3		SCALE :	DWG(PART) NO.		TYPE :
			MODEL NAME (CODE):	CUSTOMER.	DWG REV :	D46ESL_001		SIZE :	ASSY
			D46ESL	-	00	D46ESL_001		A2	
			FILE NAME :		SHT NO :				
			LAYOUT_D46ESL_V2_130711.DWG		1/1				

